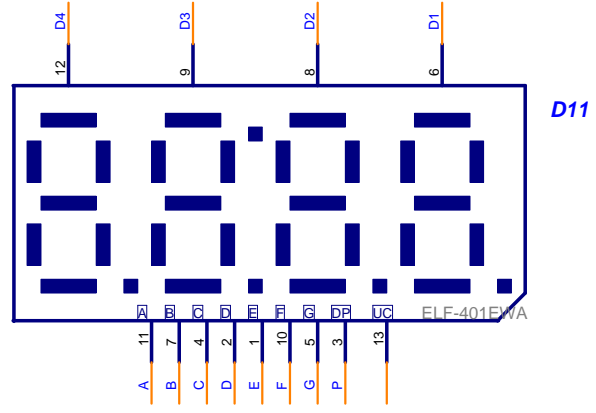
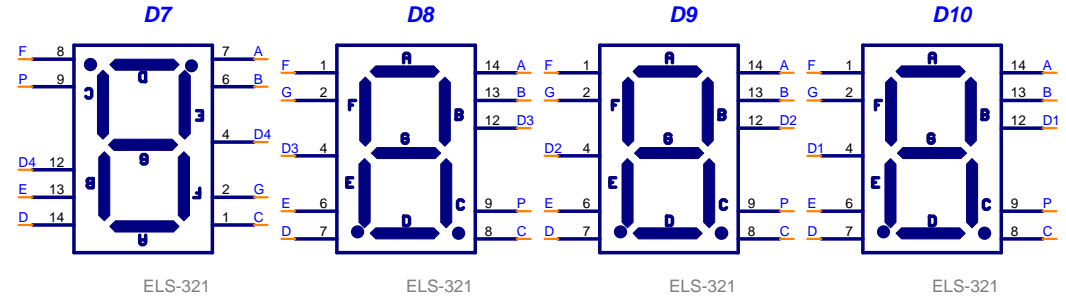
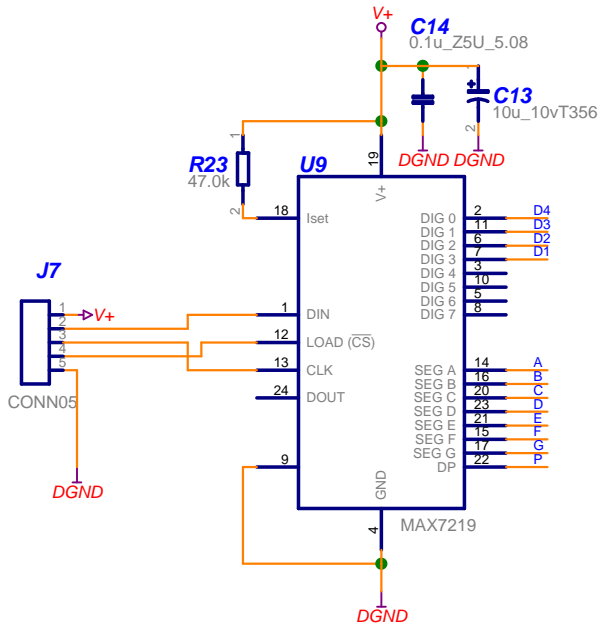


| | | | |
|----------------------|--------------------|-------------------|--------|
| <User Ext. #1> | PaoDesign | | |
| <User Ext. #2> | <Address #1> | | |
| <User Ext. #3> | <Address #2> | | |
| <User Ext. #4> | <Address #3> | | |
| <User Ext. #5> | <Address #4> | | |
| <User Ext. #6> | Sheet Titles | | |
| <User Ext. #7> | LocoNet Interface | | |
| Sheet File Name: | Size: | Document Numbers: | Rev.: |
| sincmstL.sch | A | <Document #> | <Rev.> |
| Sheet Creation date: | Modification date: | SHEET 2 OF 3 | |
| 19.12.2004 | 19.12.2004 | | |



| | | | |
|----------------------|--------------------|------------------|--------|
| <User Ext. #1> | PaoDesign | | |
| <User Ext. #2> | <Address #1> | | |
| <User Ext. #3> | <Address #2> | | |
| <User Ext. #4> | <Address #3> | | |
| <User Ext. #5> | <Address #4> | | |
| <User Ext. #6> | <Address #4> | | |
| <User Ext. #7> | <Address #4> | | |
| Sheet Title: | | | |
| Display Board | | | |
| Sheet File Name: | Size: | Document Number: | Rev.: |
| s\ncmdTD.sch | B | <Document #> | <Rev.> |
| Sheet Creation date: | Modification date: | SHEET 3 | OF 3 |
| 19.12.2004 | 19.12.2004 | | |